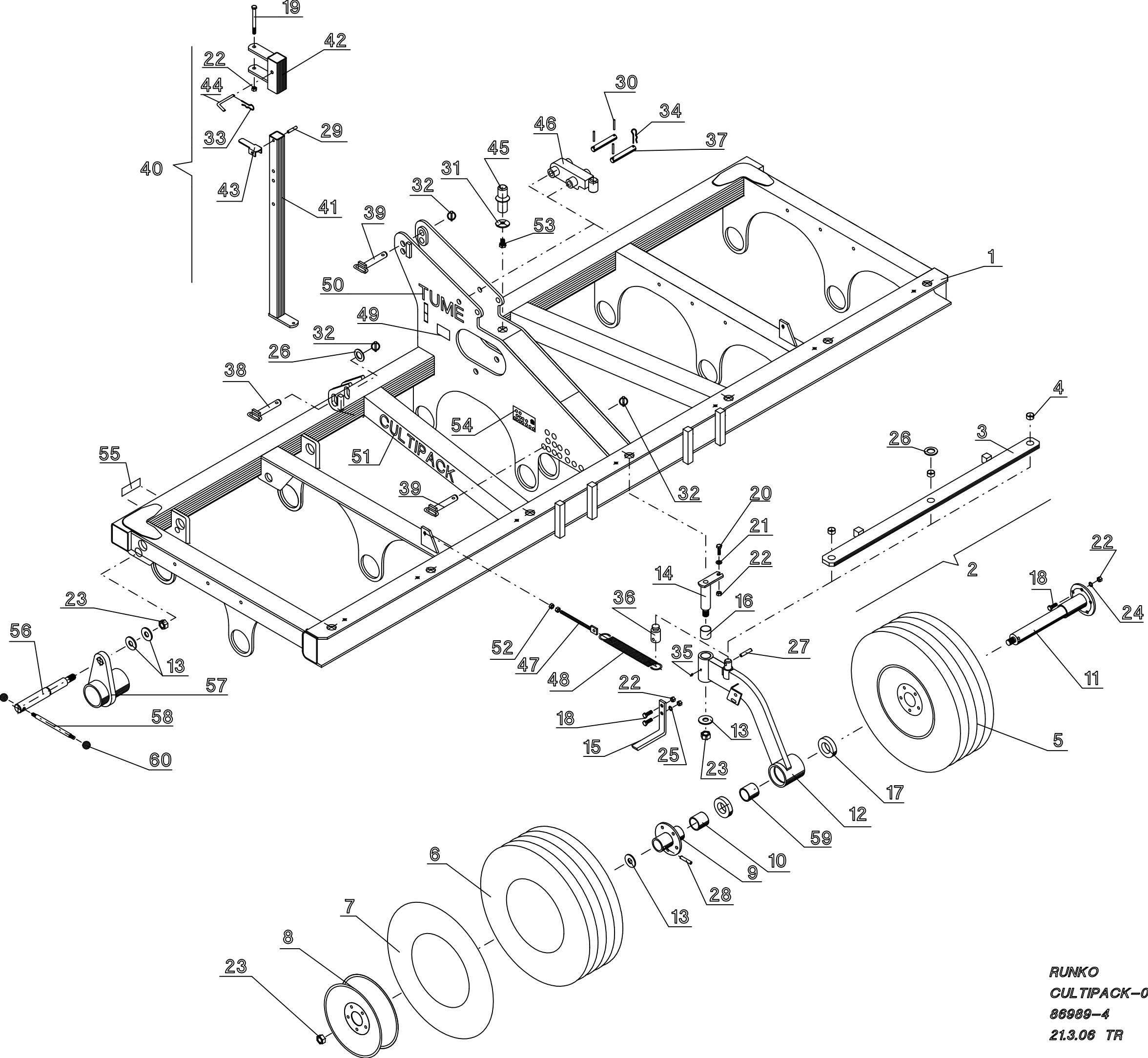


# CultiPack 3001 / 4001

**Varaosaluettelo  
Spare part list**





**RUNKO**  
**CULTIPACK-06**  
**86989-4**  
**21.3.06 TR**

RUNKO CULTIPACK-06 27.4.09 JL

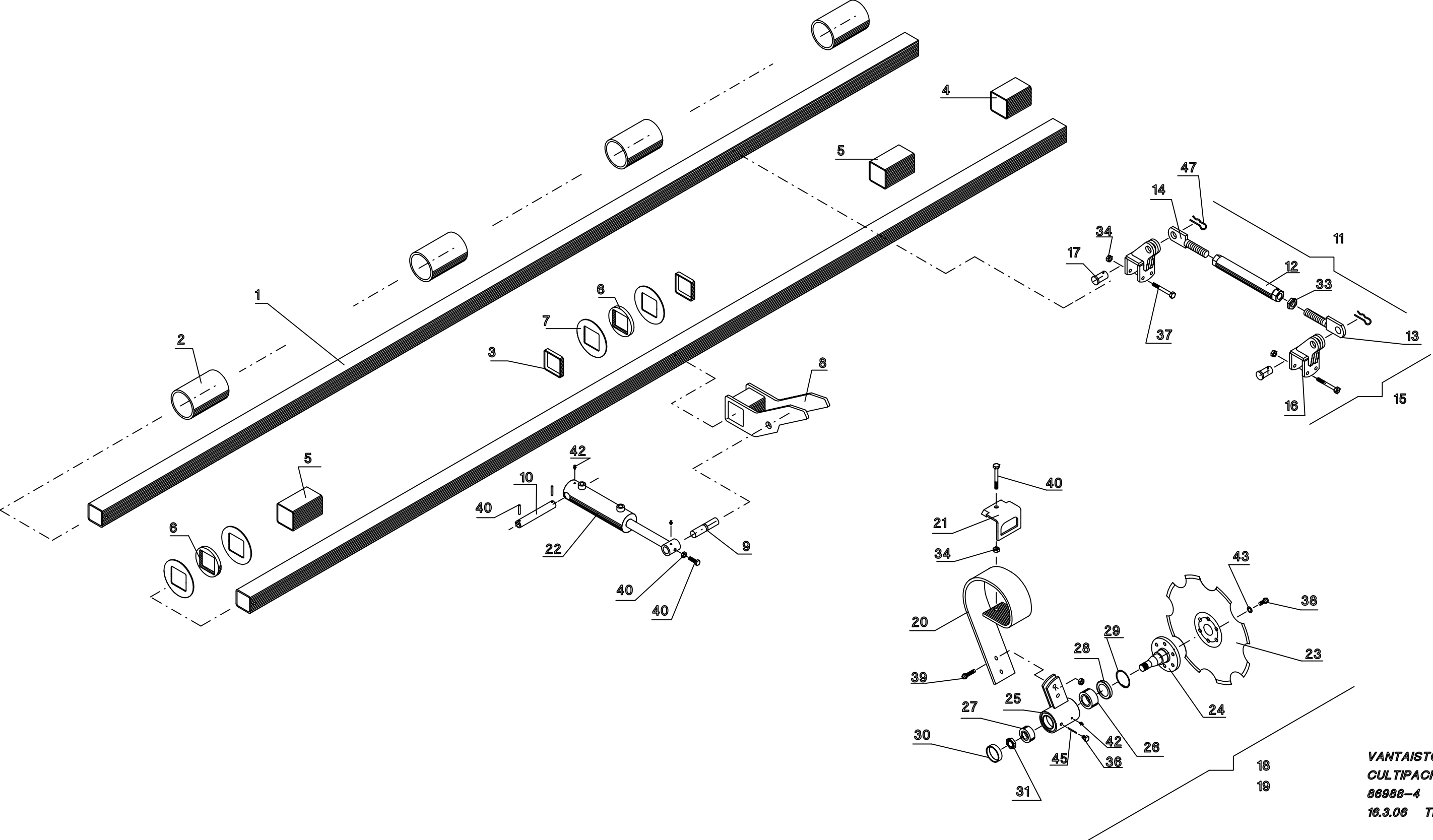
| Viite<br>Ref.No | Til.n:o<br>Part No | CULTIP.<br>3001 | CULTIP.<br>4001 | NIMITYS                             | NAME                    |
|-----------------|--------------------|-----------------|-----------------|-------------------------------------|-------------------------|
| 1               | 98631162           | 1               |                 | RUNKO HITS.KP.                      | FRAME                   |
| 1               | 98631262           |                 | 1               | RUNKO HITS.KP.                      | FRAME                   |
| 2               | 98370504           | 1               | 1               | RAIDETANKO KP. (6-PYÖRÄÄ)           | TRACK ROD 6 WHEELS      |
| 2               | 98463003           | 1               |                 | RAIDETANKO KP. (10-PYÖRÄÄ)          | TRACK ROD 10 WHEELS     |
| 2               | 98465603           |                 | 1               | RAIDETANKO KP. (14-PYÖRÄÄ)          | TRACK ROD 14 WHEELS     |
| 3               | 98297953           | 1               | 1               | RAIDETANKO HITS.KP. (6-PYÖRÄÄ)      | TRACK ROD 6 WHEELS      |
| 3               | 98464453           | 1               |                 | RAIDETANKO HITS.KP. (10-PYÖRÄÄ)     | TRACK ROD 10 WHEELS     |
| 3               | 98465553           |                 | 1               | RAIDETANKO HITS.KP. (14-PYÖRÄÄ)     | TRACK ROD 14 WHEELS     |
| 4               | 02050171           | 3(5)            | 3(7)            | PRONSSILAAKERI 28x31x15             | BRONZE BEARING 28X31X15 |
| 5               | 98341324           | 6(10)           | 6(14)           | RENGAS+VANNE 685/190x15 REUNAV.     | WHEEL + RIM 685/190X15  |
| 5               | 98487924           | 6(10)           | 6(14)           | RENGAS+VANNE 7.00-12 VAIHTOEHTO     | WHEEL + RIM 7.00-12 AS  |
| 6               | 98341404           | 6(10)           | 6(14)           | ULKORENGAS 685/190x15 REUNAV.       | WHEEL 685/190X17        |
| 6               | 01931624           | 6(10)           | 6(14)           | ULKORENGAS 7.00-12 AS VAIHTOEHTO    | WHEEL 7.00-12 AS        |
| 7               | 01931615           | 6(10)           | 6(14)           | SISÄRENGAS 185/70-15                | INNER CIRCLE 185/70-15  |
| 8               | 96909424           | 6(10)           | 6(14)           | VANNE 5 1/2" J15                    | RIM 5 1/2" J15          |
| 8               |                    | 6(10)           | 6(14)           | VANNE 4.25Jx12 5-67-112 OFF 0       | RIM 4.25JX12 5-67-112   |
| 9               | 96901843           | 6(10)           | 6(14)           | PYÖRÄN NAPA                         | NAVE                    |
| 9               | 98252843           | 6(10)           | 6(14)           | PYÖRÄN NAPA VANT. 7.00-12 OFF 0     | NAVE 7.00-12            |
| 10              | 97767554           | 3(5)            | 3(7)            | VÄLIHOLKKI                          | BUSHING                 |
| 11              | 97760553           | 3(5)            | 3(7)            | AKSELI HITS.KP.                     | AXLE                    |
| 11              | 98487653           | 3(5)            | 3(7)            | AKSELI HITS.KP. VANT. 7.00-12 OFF 0 | AXLE 7.00-12            |
| 12              | 98295853           | 3(5)            | 3(7)            | TUKIVARSI HITS.KP.                  | TRACK ARM               |
| 13              | 96073044           | 8(12)           | 8(16)           | ALUSLAATTA                          | PLATE WASHER            |
| 14              | 98652644           | 3(5)            | 3(7)            | NIVELTAPPI HITS.KP.                 | PIN                     |
| 15              | 97616774           | 6(10)           | 6(14)           | RAAPPA                              | SCRAPER                 |
| 16              | 02050191           | 6(10)           | 6(14)           | PRONSSILAAKERI                      | BRONZE BEARING          |
| 17              | 01314592           | 6(10)           | 6(14)           | URAKUULALAAKERI 6210-2RS            | BEARING 6210-2RS        |
| 18              | 05012828           | 54(82)          | 60(116)         | KUUSIORUUVI M12x35 ZN               | SCREW M12X35            |
| 19              | 02091109           | 1               | 1               | KUUSIORUUVI M12x140 ZN              | SCREW M12X140           |
| 20              | 02091081           | 3(5)            | 3(7)            | KUUSIORUUVI M12x40 FEZN             | SCREW M12X40            |
| 21              | 05061092           | 3(5)            | 3(7)            | ALUSLAATTA 14 FEZN                  | PLATE WASHER 14         |
|                 |                    |                 |                 |                                     |                         |

## RUNKO CULTIPACK-06 4.4.06 TR

| Ref.No | Til.n:o<br>Part No | CULTIP.<br>3001 | CULTIP.<br>4001 | NIMITYS                        | NAME                   |
|--------|--------------------|-----------------|-----------------|--------------------------------|------------------------|
| 22     | 02161035           | 58(88)          | 64(124)         | LUKITUSMUTTERI M12 ZN          | NUT M12                |
| 23     | 02162085           | 8(12)           | 8(16)           | LUKITUSMUTTERI M24 ZN          | NUT M24                |
| 24     | 02070081           | 30(50)          | 30(70)          | KARTIOJOUSIALUSLAATTA C12.5 ZN | ADJUSTING WASHER C12.5 |
| 25     | 02071480           | 6(10)           | 6(14)           | ALUSLAATTA 12 SFS.B.V 157 ZN   | PLATE WASHER 12        |
| 26     | 02070151           | 5(7)            | 5(9)            | ALUSLAATTA M30 ZN              | PLATE WASHER M30       |
| 27     | 02063292           | 3(5)            | 3(7)            | JOUSISOKKA 12x50 ZN            | COTTER PIN             |
| 28     | 02061993           | 3(5)            | 3(7)            | JOUSISOKKA 12x60 ZN            | COTTER PIN             |
| 29     | 02062690           | 1               | 1               | JOUSISOKKA 10x50 ZN            | COTTER PIN             |
| 30     | 02061150           | 3               | 3               | JOUSISOKKA 6x50 ZN             | COTTER PIN             |
| 31     | 02070035           | 1               | 1               | ALUSLAATTA 16 SFSBV 157 FEZN   | PLATE WASHER           |
| 32     | 02061633           | 3               | 3               | JOUSIRENGASSOKKA 11 ZN         | split pin              |
| 33     | 02060125           | 1               | 1               | HAARAJOUSISOKKA 3x72 ZN        | COTTER PIN             |
| 34     | 02061954           | 1               | 1               | HAARAJOUSISOKKA 4x74 ZN        | COTTER PIN             |
| 35     | 02011158           | 3(5)            | 3(7)            | KAULANIPPA AM6                 | GREASE NIPPLE AM6      |
| 36     | 98456344           | 2               | 2               | JOUSEN TAPPI                   | PIN                    |
| 37     | 98629444           | 2               | 2               | LUKITUSTAPPI 22x162            | LOCKING PIN 22X162     |
| 38     | 98290744           | 2               | 2               | VETOVAREN TAPPI                | PIN                    |
| 39     | 98629644           | 2               | 2               | TYÖNTÖVARREN TAPPI             | PIN                    |
| 40     | 98369104           | 1               | 1               | TUKIJALKA KP.                  | SUPPORT                |
| 41     | 98355364           | 1               | 1               | TUKIJALKA HITS.KP.             | SUPPORT                |
| 42     | 98355164           | 1               | 1               | TUKIJALAN OHJAIN               | CONTROLLING MECHANISM  |
| 43     | 98231073           | 1               | 1               | KAHVA                          | KNOB                   |
| 44     | 94509844           | 1               | 1               | LUKITUSKAHVA                   | LOCKING KNOB           |
| 45     | 98625374           | 1               | 1               | VETOTAPPI                      | PIN                    |
| 46     | 98629363           | 1               | 1               | SÄPPI                          | HASP                   |
| 47     | 98217044           | 2               | 2               | SÄÄTÖRUUVI HITS.KP.            | ADJUSTING SCREW        |
| 48     | 98303864           | 2               | 2               | JOUSI                          | SPRING                 |
| 49     | 93884304           | 1               | 1               | KONE-KILPI                     | MACHINE-SIGN           |
| 50     | 98377204           | 2               | 2               | TUME-TEIPPI                    | TUME-TAPE              |
| 51     | 98354603           | 2               | 2               | CULTIPACK-TARRA                | CULTIPACK-TAPE         |
| 52     | 02161074           | 4               | 4               | KUUSIOMUTTERI M12 ZN           | NUT M12                |
| 53     | 05013194           | 1               | 1               | KUUSIORUUVI M 16x25 FEZN       | SCREW M16X25           |
| 54     | 98633204           | 1               | 1               | SÄÄTÖTEIPPI                    | ADJUSTMENT-TAPE        |

RUNKO CULTIPACK-06 4.4.06 TR

| Viite<br>Ref.No | Til.n:o<br>Part No | CP<br>3001 | CP<br>4001 | NIMITYS           | NAME             |
|-----------------|--------------------|------------|------------|-------------------|------------------|
| 55              | 98674604           | 1          | 1          | SÄÄTÖTEIPPI       | ADJUSTMENT-TAPE  |
| 56              | 98645244           | 1          | 1          | SÄÄTÖRUUVI        | ADJUSTMENT SCREW |
| 57              | 98646474           | ---        | 1          | SÄÄTÖOSA          | ADJUSTING PART   |
| 58              | 98647744           | 1          | 1          | KAMPI             | CRANK HANDLE     |
| 59              | 98380244           | 3(5)       | 3(7)       | VÄLIHOLKKI        | MIDDLE BUSHING   |
| 60              | 02041651           | 2          | 2          | PALLONUPPI 40 M12 | KNOB             |
| 61              | 98645174           | 1          | ---        | SÄÄTÖOSA          | ADJUSTING PART   |



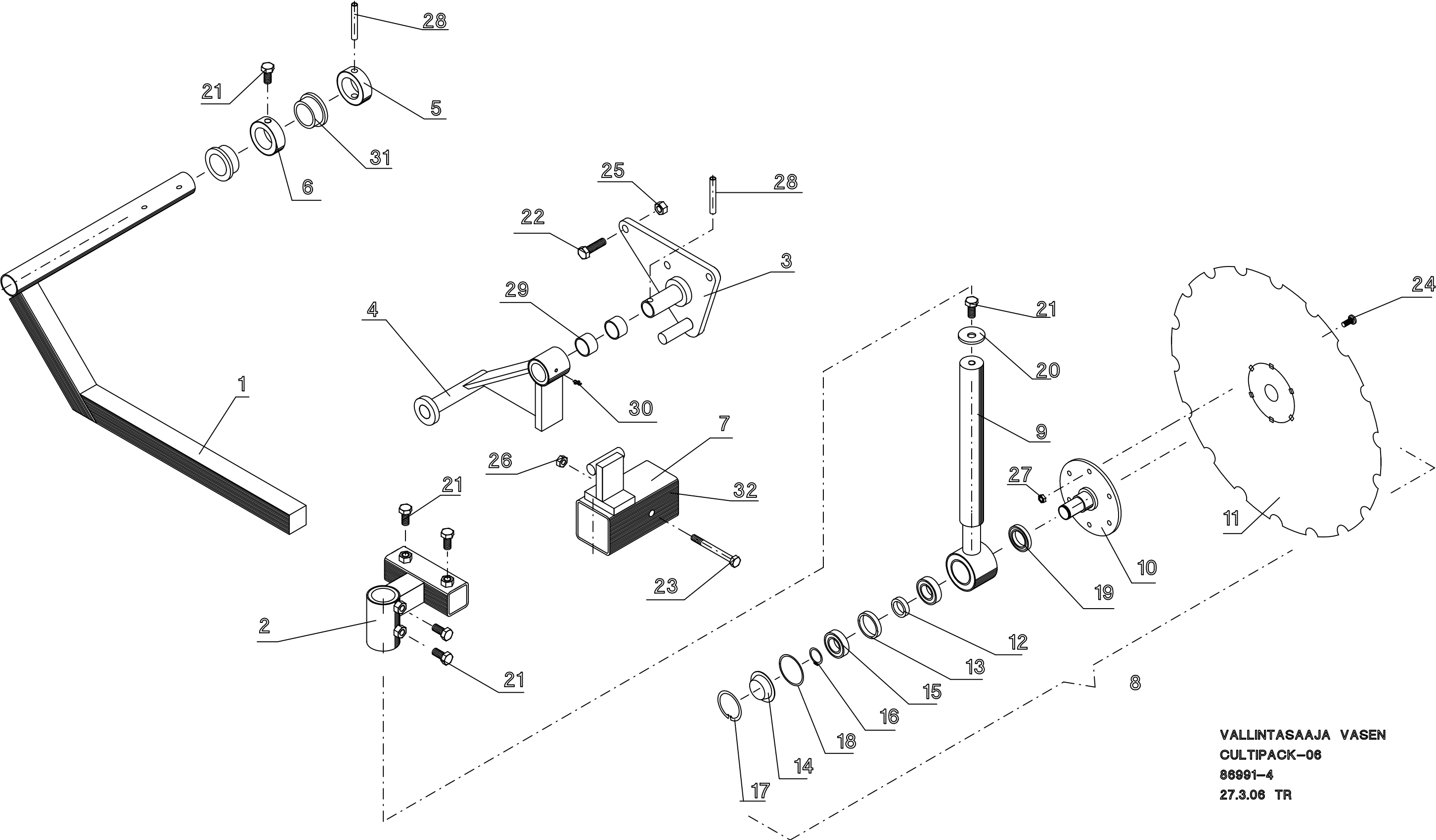
VANTAISTO  
 CULTIPACK-06  
 86988-4  
 16.3.06 TR

VANTAISTO CULTIPACK-06 4.4.06 TR

| Viite<br>Ref.No | Til.n:o<br>Part No | 3001 | 4001 | NIMITYS                              | NAME                       |
|-----------------|--------------------|------|------|--------------------------------------|----------------------------|
| 1               | 98625474           | 1    | ---  | VANNASPUTKI                          | COULTER TUBE               |
| 1               | 98630874           | ---  | 1    | VANNASPUTKI                          | COULTER TUBE               |
| 2               | 98644974           | 2    | 4    | VÄLIPUTKI 170                        | MIDDLE TUBE 170            |
| 3               | 98630274           | 4    | 6    | VÄLIPUTKI 13                         | MIDDLE TUBE 13             |
| 4               | 98635574           | ---  | 1    | VÄLIPUTKI 120                        | MIDDLE TUBE 120            |
| 5               | 98630074           | ---  | 2    | VÄLIPUTKI 137                        | MIDDLE TUBE 137            |
| 6               | 98627744           | 4    | 6    | LAAKERILEVY                          | BEARING PLATE              |
| 7               | 98611974           | 6    | 10   | ESTELEVY                             | BARRIER PLATE              |
| 8               | 98628773           | 1    | 1    | SYLINTERIN KORVA                     | CYLINDER HOLDER            |
| 9               | 98630444           | 1    | 1    | SYLINTERIN TAPPI 25x110              | PIN 25X172                 |
| 10              | 98631944           | 1    | 1    | SYLINTERIN TAPPI 25x172              | PIN 25X111                 |
| 11              | 98625004           | 2    | 2    | SÄÄTÖTANKO KP.                       | ADJUSTING TUBE             |
| 12              | 98625144           | 2    | 2    | SÄÄTÖPUTKI HITS.KP.                  | ADJUSTING TUBE             |
| 13              | 98625944           | 2    | 2    | SÄÄTÖRUUVI HITS.KP.                  | ADJUSTING TUBE             |
| 14              | 98626044           | 2    | 2    | SÄÄTÖRUUVI VAS.KÄT.                  | ADJUSTING SCREW            |
| 15              | 98631604           | 4    | 4    | KÄÄNTÖKORVA                          | TURNIG POINT               |
| 16              | 98626474           | 4    | 4    | KÄÄNTÖKORVA HITS.KP.                 | TURNIG POINT               |
| 17              | 95698444           | 4    | 4    | TAPPI 25x51                          | PIN 25X51                  |
| 18              | 98631403           | 11   | 15   | KIEKKOVANNAS OIKEA KP.               | DISC COULTER RIGHT         |
| 19              | 98631503           | 10   | 14   | KIEKKOVANNAS VASEN KP.               | DISC COULET LEFT           |
| 20              | 98425174           | 21   | 29   | LADAN JOUSI 10x80                    | SPRING 10X80               |
| 21              | 480107070          | 21   | 29   | JOUSEN PIDIN                         | HOLDER                     |
| 22              | 98629973           | 1    | 1    | 2-TOIMISYLINTERI 60x30x225           | CYLINDER 60X30X225         |
| 23              | 98623003           | 21   | 29   | KIEKKO 18"                           | DISC 18"                   |
| 24              | 98410573           | 21   | 29   | KIEKON AKSELI HITS.KP.               | DISC SHAFT                 |
| 25              | 98408274           | 21   | 29   | LAAKERIPESÄ HITS.KP.                 | BEARING HOUSE              |
| 26              | 01310055           | 21   | 29   | KARTIORULLALAAKERI 32007 35/62       | CONE BEARING 32007 35/62   |
| 27              | 01310054           | 21   | 29   | KARTIORULLALAAKERI 30205 25/52       | CONE BEARING 30205 25/52   |
| 28              | 01860200           | 21   | 29   | AKS.TIIVISTE RST 45x65x8 AS DIN 3760 | GASKET 45X65X8 AS DIN 3760 |

## Viite VANTAISTO CULTIPACK -06 21.10.10 JL

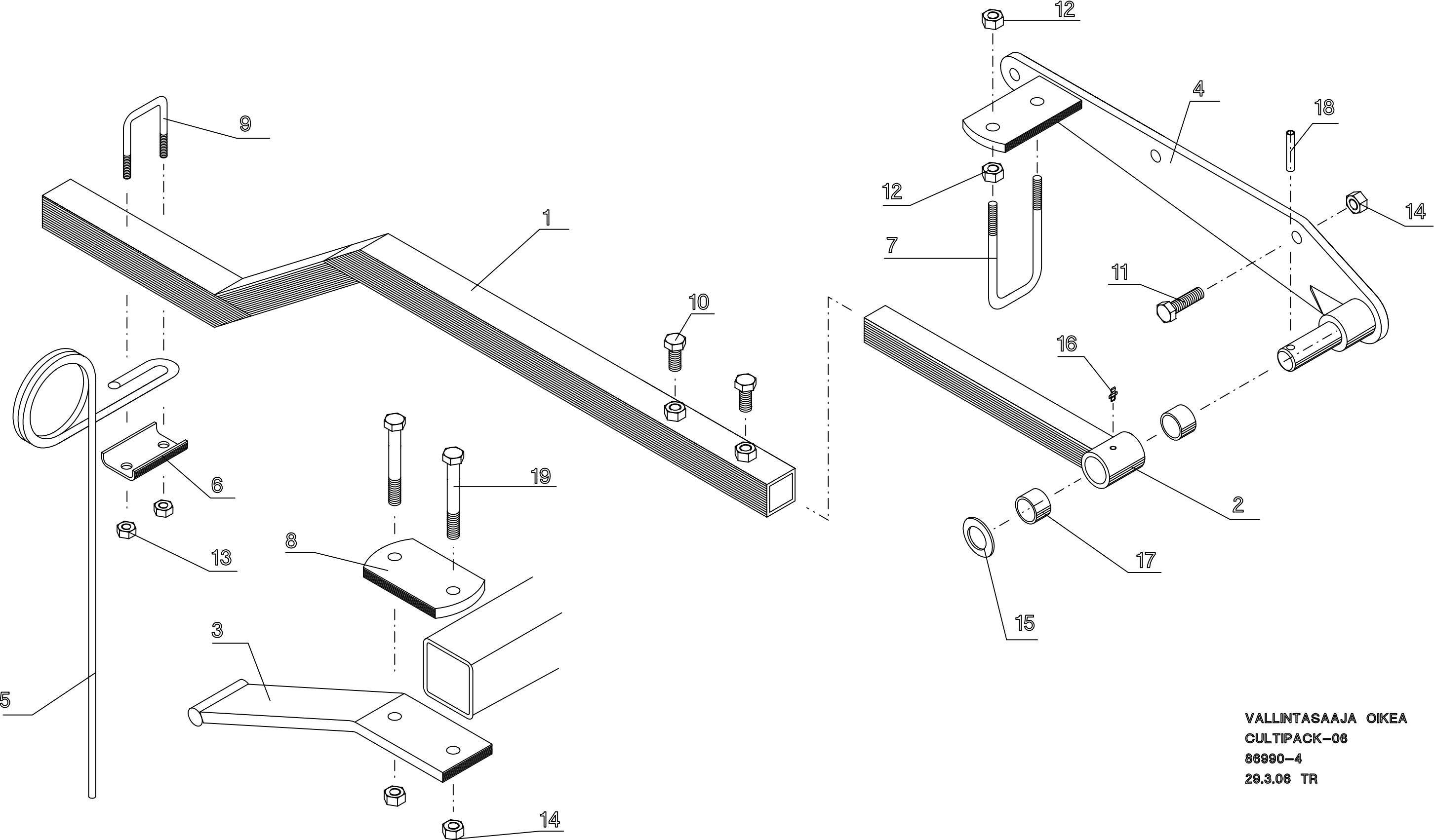
| Viite<br>Ref.No | Til.n:o<br>Part No | 3001 | 4001 | NIMITYS                              | NAME                |
|-----------------|--------------------|------|------|--------------------------------------|---------------------|
| 29              | 01351348           | 21   | 29   | VARM.RENGAS 65x2.5 DIN 472           | CIRCLE CLIPS 65x2.5 |
| 30              | 02040899           | 21   | 29   | TYNNYRIN KORKKI R2                   | CORK                |
| 31              | 02162086           | 21   | 29   | KRUUNUMUTTERI M24x1.5 DIN 937 MATALA | NUT M24x1.5         |
| 32              | 02162085           | 2    | 2    | LUKITUSMUTTERI M24 ZN                | NUT                 |
| 33              | 02161992           | 2    | 2    | KUUSIOMUTTERI M24 ZN MATALA          | SCREW               |
| 34              | 02161451           | 71   | 85   | LUKITUSMUTTERI M12 10.9 FEZN         | NUT                 |
| 35              | 02161067           | 1    | 1    | KUUSIOMUTTERI M8 FEZN                | NUT                 |
| 36              | 05010971           | 42   | 58   | KUUSIORUUVI M10x12 ZN                | SCREW               |
| 37              | 02080086           | 8    | 8    | KUUSIORUUVI M 12x110 FEZN            | SCREW               |
| 38              | 02091042           | 126  | 174  | KUUSIORUUVI M12x25 ZN                | SCREW               |
| 39              | 05002837           | 42   | 58   | KUUSIORUUVI M12x55 ZN                | SCREW               |
| 40              | 02080074           | 21   | 29   | KUUSIORUUVI M12x110 10.9 MAALATTU    | SCREW               |
| 41              | 05011895           | 2    | 2    | KUUSIORUUVI M8x20 FEZN               | SCREW               |
| 42              | 02011158           | 23   | 31   | KAULANIPPA AM6                       | GREASE NIPPLE AM6   |
| 43              | 05061053           | 126  | 174  | JOUSIALUSLAATTA B12 ZN               | WASHER              |
| 45              | 02063127           | 21   | 29   | SAKSISOKKA 4x45 FEZN                 | PIN 4x45            |
| 46              | 02062475           | 2    | 2    | JOUSISOKKA 6x36 FEZN                 | PIN 6x36            |
| 47              | 02061954           | 4    | 4    | HAARAJOUSISOKKA 4x74 ZN              | PIN 4x74            |
|                 |                    |      |      |                                      |                     |



**VALLINTASAAJA VASEN**  
**CULTIPACK-06**  
 86991-4  
 27.3.06 TR

## Viite VALLINTASAAJA VASEN CULTIPACK-06 5.4.06 TR

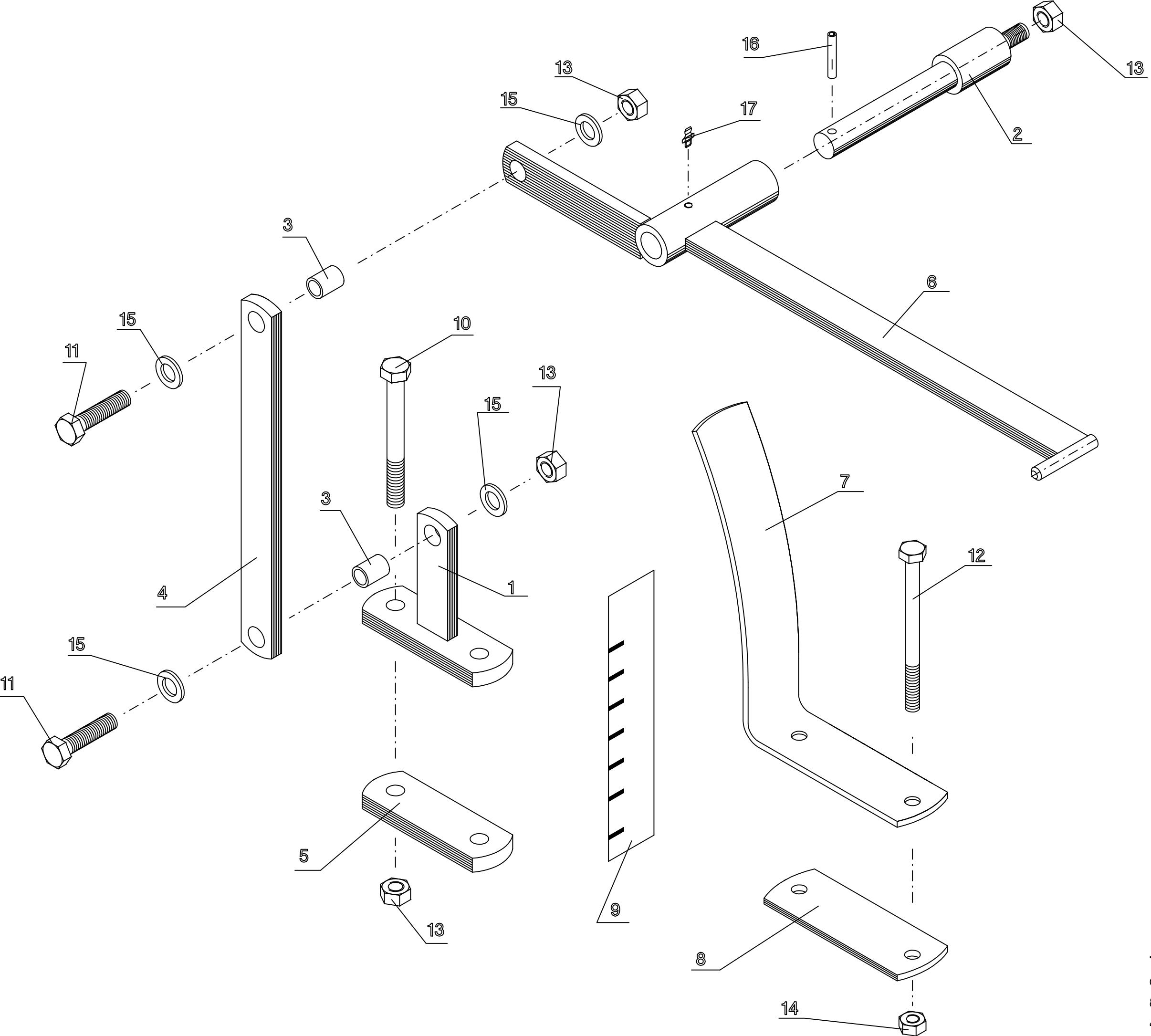
| Viite<br>Ref.No | Til.n:o<br>Part No | 3001 | 4001 | NIMITYS                        | NAME                     |
|-----------------|--------------------|------|------|--------------------------------|--------------------------|
|                 | 98664703           | 1    | 1    | VALLINTASAAJA VASEN KP.        | LEVERER LEFT             |
| 1               | 98647573           | 1    | 1    | VARSI HITS.KP.                 | ARM                      |
| 2               | 98660774           | 1    | 1    | SÄÄTÖOSA HITS.KP.              | ADJUSTING PART           |
| 3               | 98661274           | 1    | 1    | TAPPIKORVA HITS.KP.            | PIN HOLDER               |
| 4               | 98662373           | 1    | 1    | KÄÄNTÖOSA HITS.KP.             | REVERSAL PART            |
| 5               | 98662474           | 1    | 1    | REIKÄHOLKKI                    | HOLE BUSHING             |
| 6               | 98662544           | 1    | 1    | KIERREHOLKKI                   | WORM BUSHING             |
| 7               | 98663874           | ---  | 1    | VÄÄNNIN HITS.KP.               | REVERSER                 |
| 8               | 98664003           | 1    | 1    | KIEKON LAAKEROINTI KP.         | BEARING HOUSE COMPLETE   |
| 9               | 98660274           | 1    | 1    | KIEKON VARSI                   | DICS ARM                 |
| 10              | 98659673           | 1    | 1    | LAAKERIAKSELI                  | SHAFT                    |
| 11              | 98660073           | 1    | 1    | KIEKKO 500                     | DICS 500                 |
| 12              | 97502604           | 1    | 1    | VÄLIHOLKKI                     | MIDDLE BUSHING           |
| 13              | 97502704           | 1    | 1    | VÄLIHOLKKI                     | MIDDLE BUSHING           |
| 14              | 98488244           | 1    | 1    | SUOJAKUPPI                     | COVER PLATE              |
| 15              | 01311351           | 2    | 2    | URAKUULALAAKERI 6005-2RS       | BEARING 6005-2RS         |
| 16              | 01351040           | 1    | 1    | VARMISTINRENGAS 25x1.2         | CIRCLE LIPS 25X1.2       |
| 17              | 01351179           | 1    | 1    | VARMISTINRENGAS 56x2           | CIRCLE LIPS 56X1.2       |
| 18              | 01342849           | 1    | 1    | O-RENGAS 52x3                  | O-RING 52X3              |
| 19              | 01341113           | 1    | 1    | AKSELITIIVISTE RST 30x47x7 AS  | SHAFT GASKET 30X47X7 AS  |
| 20              | 02071480           | 1    | 1    | ALUSLAATTA 12 SFS.BV.157       | PLATE WASHER             |
| 21              | 02091042           | 6    | 6    | KUUSIORUUVI M12x25 FEZN        | SCREW                    |
| 22              | 02091081           | 2    | 2    | KUUSIORUUVI M12x40             | SCREW                    |
| 23              | 05002636           | 1    | 1    | KUUSIORUUVI M10x100            | SCREW                    |
| 24              | 02081599           | 6    | 6    | LUKKORUUVI M8x20 FEZN          | SCREW                    |
| 25              | 02161451           | 2    | 2    | LUKITUSMUTTERI M12 FEZN        | SCREW                    |
| 26              | 02161444           | 1    | 1    | LUKITUSMUTTERI M10 FEZN        | SCREW                    |
| 27              | 02151051           | 6    | 6    | LUKITUSMUTTERI M8 FEZN         | SCREW                    |
| 28              | 02062595           | 2    | 2    | JOUSISOKKA 10x70 FEZN          | COTTER PIN               |
| 29              | 01860201           | 2    | 2    | SÄTEISLAAKERI BIMET-5 771-3020 | BEARING BIMET-5 771-3020 |
| 30              | 02011158           | 1    | 1    | KAULANIPPA AM6 FEZN            | GREASE NIPPLE AM6        |
| 31              | 98674404           | 2    | 2    | LAIPPALAAKERI                  | BEARING                  |
| 32              | 98663874           | 1    | ---  | VÄÄNNIN HITS.KP.               | REVERSER                 |



VALLINTASAAJA OIKEA  
CULTIPACK-06  
86990-4  
29.3.06 TR

## Viite VALLINTASAAJA OIKEA CULTIPACK-06 5.4.06 TR

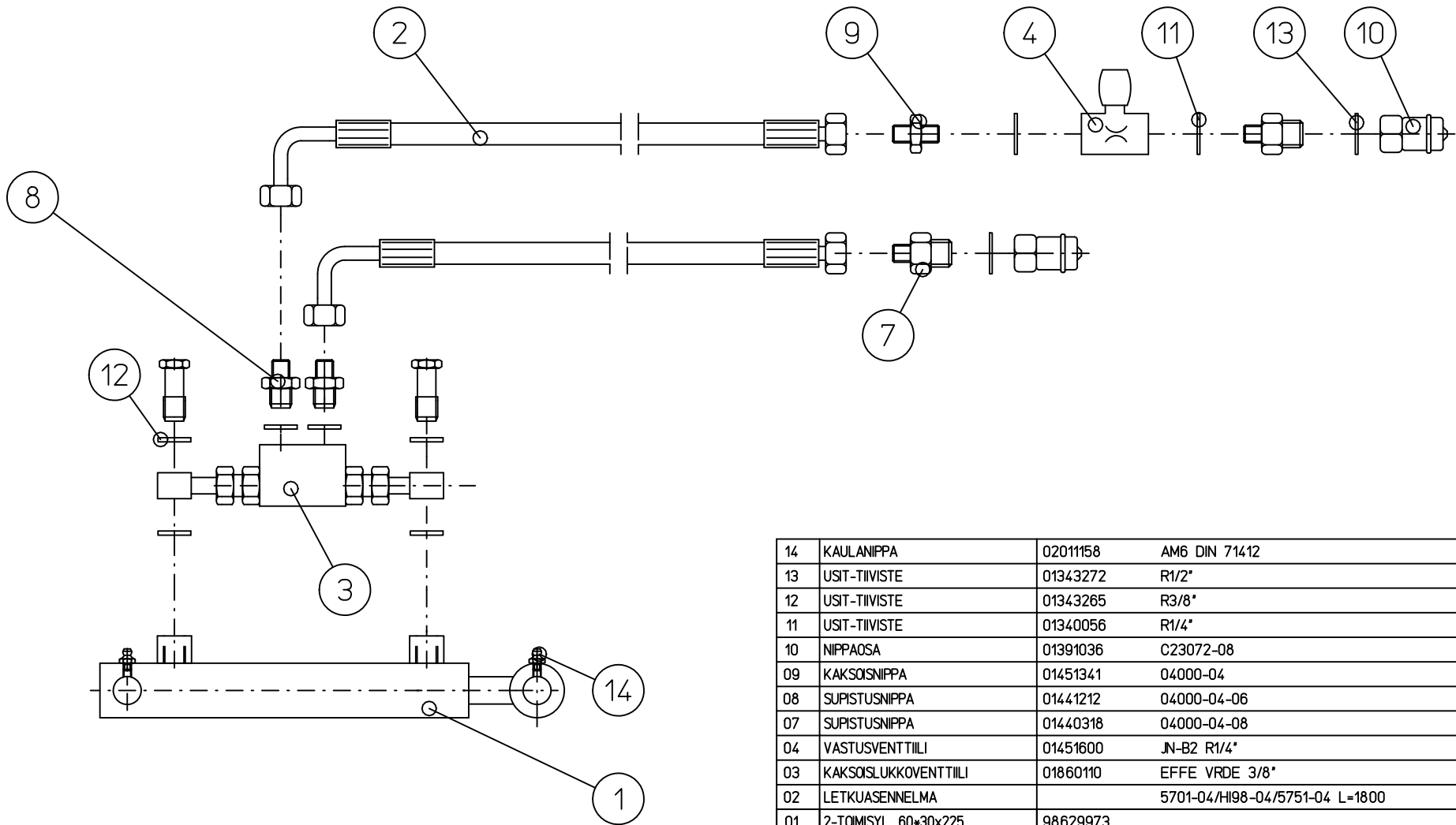
| Viite<br>Ref.No | Til.n:o<br>Part No | 3001 | 4001 | NIMITYS                      | NAME                    |
|-----------------|--------------------|------|------|------------------------------|-------------------------|
|                 | 98633103           | 1    | 1    | VALLINTASAAJA OIKEA KP.      | LEVERER RIGHT           |
| 1               | 98633073           | 1    | 1    | VARSIIHITS.KP.               | ARM                     |
| 2               | 98619174           | 1    | 1    | NIVELPUTKI HITS.KP.          | TUBE                    |
| 3               | 98629074           | 1    | 1    | KÄÄNTÖTANKO                  | REVERSAL BAR            |
| 4               | 98621074           | 1    | 1    | RUNKO                        | FRAME                   |
| 5               | 98327273           | 3    | 3    | JOUSIPIIKKI 12               | SPRING 12               |
| 6               | 98332744           | 3    | 3    | U-VASTE 3                    | U-CORRELATIVE 3         |
| 7               | 97766944           | 1    | 1    | U-RUUVI 136                  | U-SCREW 136             |
| 8               | 98632674           | 1    | 1    | KIINNITIN                    | HOLDER                  |
| 9               | 96073144           | 3    | 3    | U-RUUVI 76                   | U-SCREW 76              |
| 10              | 02091042           | 2    | 2    | KUUSIORUUVI M12x25 FEZN      | SCREW                   |
| 11              | 05012874           | 3    | 3    | KUUSIORUUVI M12x45 FEZN      | SCREW                   |
| 12              | 02161074           | 4    | 4    | KUUSIOMUTTERI M12 FEZN       | SCREW                   |
| 13              | 02161444           | 6    | 6    | LUKITUSMUTTERI M10 FEZN      | NUT                     |
| 14              | 02161451           | 5    | 5    | LUKITUSMUTTERI M12 FEZN      | NUT                     |
| 15              | 05061127           | 1    | 1    | ALUSLAATTA 26 FEZN           | PLATE WASHER            |
| 16              | 02011158           | 1    | 1    | KAULANIPPA AM6 FEZN          | GREASE NIPPLE AM6       |
| 17              | 02050024           | 2    | 2    | LIUKULAAKERI SMS777 25/30-20 | BEARING SMS777 25/30-20 |
| 18              | 02063278           | 1    | 1    | JOUSISOKKA 8x45 FEZN         | COTTER PIN              |
| 19              | 02080086           | 2    | 2    | KUUSIORUUVI M12x110 FEZN     | SCREW                   |
|                 |                    |      |      |                              |                         |



TYÖSYVYYSOITIN  
 CULTIPACK-06  
 86992-4  
 4.4.06 TR

TYÖSYVYYSOSOITIN CULTIPACK-06 5.4.06 TR

| Viite<br>Ref.No | Til.n:o<br>Part No | 3001 | 4001 | NIMITYS                  | NAME              |
|-----------------|--------------------|------|------|--------------------------|-------------------|
|                 | 98667503           | 1    | 1    | TYÖSYVYYSOSOITIN KP.     | INDICATOR         |
| 1               | 98650464           | 1    | 1    | KÄYTTÖVIPU               | LEVER             |
| 2               | 98665944           | 1    | 1    | AKSELI                   | SHAFT             |
| 3               | 98666344           | 2    | 2    | NIVELHOLKKI              | BUSHING           |
| 4               | 98666664           | 1    | 1    | VÄLIVIPU                 | LEVER             |
| 5               | 98666764           | 1    | 1    | ALAKIINNITIN             | HOLDER            |
| 6               | 98667063           | 1    | 1    | OSOITIN HITS.KP.         | INDICATOR         |
| 7               | 98667163           | 1    | 1    | TEIPIN ALUSTA            | EASEL             |
| 8               | 98667264           | 1    | 1    | VASTALATTA               | PLATE             |
| 9               | 98667303           | 1    | 1    | TYÖSYVYYSSTEIPPI         | WORK DEEP TAPE    |
| 10              | 02080086           | 2    | 2    | KUUSIORUUVI M12x110 FEZN | SCREW             |
| 11              | 05002795           | 2    | 2    | KUUSIORUUVI M12x50 FEZN  | SCREW             |
| 12              | 02080146           | 2    | 2    | KUUSIORUUVI M10x130 FEZN | SCREW             |
| 13              | 02161451           | 5    | 5    | LUKITUSMUTTERI M12 FEZN  | NUT               |
| 14              | 02161444           | 2    | 2    | LUKITUSMUTTERI M10 FEZN  | NUT               |
| 15              | 05061092           | 4    | 4    | ALUSLAATTA 14 FEZN       | PLATE WASHER      |
| 16              | 02062475           | 1    | 1    | JOUSISOKKA 6x36 FEZN     | COTTER PIN        |
| 17              | 02011158           | 1    | 1    | KAULANIPPA AM6 FEZN      | GREASE NIPPLE AM6 |
|                 |                    |      |      |                          |                   |



|     |                                |                 |                                |               |     |
|-----|--------------------------------|-----------------|--------------------------------|---------------|-----|
| 14  | KAULANIPPA                     | 02011158        | AM6 DIN 71412                  | 2             |     |
| 13  | USIT-TIIVISTE                  | 01343272        | R1/2"                          | 2             |     |
| 12  | USIT-TIIVISTE                  | 01343265        | R3/8"                          | 6             |     |
| 11  | USIT-TIIVISTE                  | 01340056        | R1/4"                          | 2             |     |
| 10  | NIPPAOSA                       | 01391036        | C23072-08                      | 2             |     |
| 09  | KAKSOISNIPPA                   | 01451341        | 04000-04                       | 1             |     |
| 08  | SUPISTUSNIPPA                  | 01441212        | 04000-04-06                    | 2             |     |
| 07  | SUPISTUSNIPPA                  | 01440318        | 04000-04-08                    | 2             |     |
| 04  | VASTUSVENTTIILI                | 01451600        | JN-B2 R1/4"                    | 1             |     |
| 03  | KAKSOISLUKKOVENTTIILI          | 01860110        | EFFE VRDE 3/8"                 | 1             |     |
| 02  | LETKUASENNELMA                 |                 | 5701-04/HI98-04/5751-04 L=1800 | 2             |     |
| 01  | 2-TOIMISYL. 60x30x225          | 98629973        |                                | 1             |     |
| OSA | OSAN TAI KOKKOONPANOIN NIMITYS | PIIRI NO        | LAATU                          | MITAT - MALLI | KPL |
|     |                                | OSAN LAJIMERKKI |                                |               |     |

|        |  |          |       |                    |
|--------|--|----------|-------|--------------------|
| LITTYY |  | MITAT mm | SUHDE | PIIRT. 14.11.05 TR |
|        |  |          | 1:3   | TARK.              |
|        |  | ENTINEN  | UUSI  | HYV.               |
|        |  | PANO     | KO    | RYHMÄ LISÄL.       |



HYDRAULIIKKA  
CULTIPACK-06

**B C D E F G H I J**

86542-3



**Tume-Agri Oy**  
**PL 77**  
**14201 Turenki**  
**Finland**

**Tel. +358 207 433 060**  
**Fax. +358 3 688 2305**  
**[www.tumeagri.fi](http://www.tumeagri.fi)**